

## HBJC150I225

Rack 1U • INTEL Raptor Lake • 1 PCIe x16

Processeur INTEL Core 12th & 13th Gen

Chipset INTEL Raptor Lake S

Mémoire 2 slots Dual channel DDR5 64GB Max

1 Port PCIe x16

2 SD 2.5" • 1 M.2 2280

4 USB 3.2 • 2 RS 232 ( 1 RS422 /485 )

2 ports RJ45 INTEL ( 1 port 2.5 GbE)

Alimentation Flex ATX 300 Watts



### Système ( Raptor Lake )

<b>Chipset</b>	INTEL H610
<b>Processeur</b>	INTEL 12th & 13th GEN 65 Watts max
<b>Proc. Vidéo</b>	INTEL UHD 770
<b>Modularité</b>	1 M.2 2230 (Key E) 1 M.2 3042 ( Slot SIM ) 1 PCIe x 16
<b>Stockage</b>	2 2.5" SATA 3 • 1 M.2
<b>Mémoire</b>	2 DUAL CHANNEL DDR5-5600 1 VGA • 1 HDMI • 1 DP 4 USB 3.2 • 2 USB 2
<b>Entrées / Sorties</b>	2 RS232 ( 1 RS232/422/485) 2 RJ45 INTEL ( 1 2.5 GbE) 1 Line out / Line in 1 AC in
<b>Alimentation</b>	AC 100~240V, 50Hz/60 Hz

### Communication

<b>Ethernet</b>	2 GbE INTEL ( I219-V + I225-V)
<b>Wifi ( Option )</b>	Wifi AC
<b>Bluetooth ( Option )</b>	BT5
<b>4G/5G ( Option )</b>	Module M.2

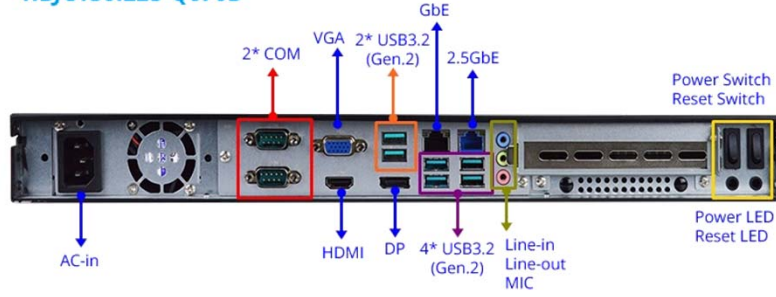
### Environnement

<b>Temp. fonctionn.</b>	0°C~50°C
<b>Temp. stockage</b>	-10°C ~70°C
<b>Humidité</b>	10%~90°
<b>Vibration</b>	MIL-STD-810H 516.8 procedure I - functional shock, Operating 20G, 11ms (Follow IEC 60068-2-27 half sine)
<b>Certification</b>	FCC/ CE

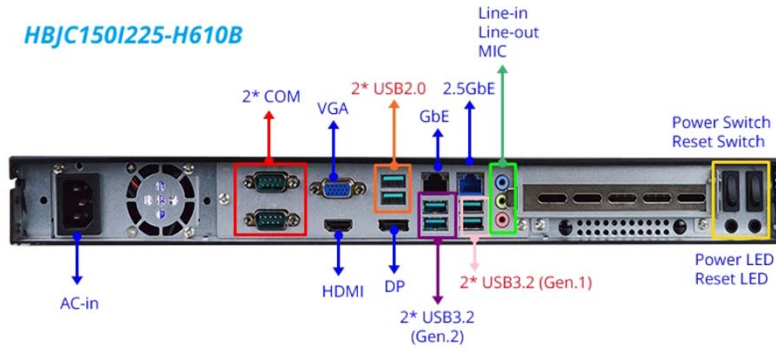
### Dimensions / Construction

<b>Matériau</b>	Acier
<b>Dimensions</b>	430 x 252 x 44 mm
<b>Poids</b>	Environ 5 Kg
<b>Fixation</b>	Format 1U

### HBJC150I225-Q670B



### HBJC150I225-H610B



## Références de commande

<b>Accessoires livrés</b>	1 cooling fan
	1 Riser PCIe x16
HBJC150I225-Q670B	Chipset Q670
HBJC150I225-H610B	Chipset H610

## Options

<b>Communications</b>	Carte Wifi & Bluetooth
<b>Communications</b>	Carte M.2 4G/5G
<b>Alimentation</b>	Bloc d'alimentation AC/DC